

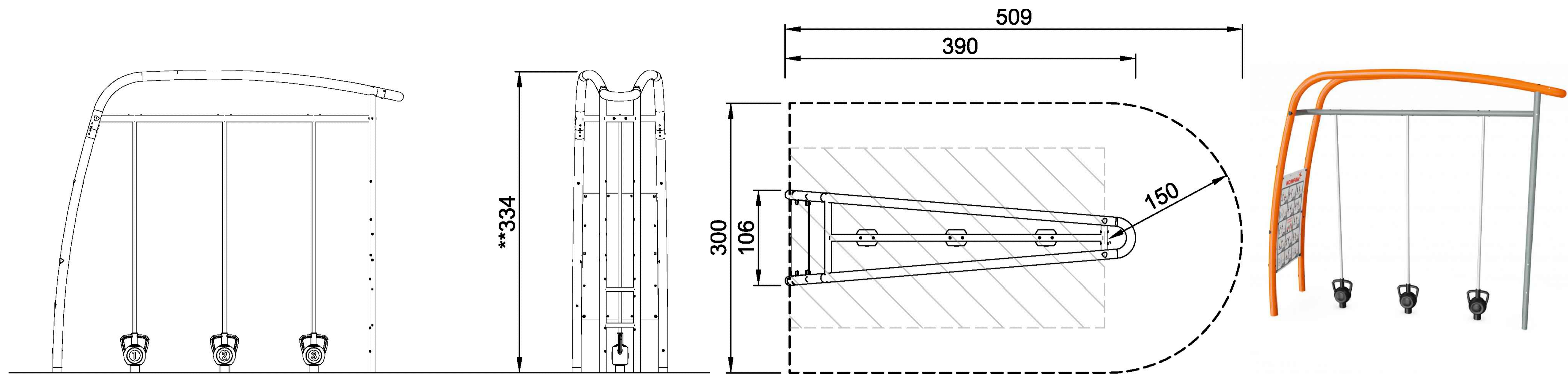
NOTE:
 ALL DIMENSIONS TO BE CHECKED ON SITE
 NO DIMENSIONS TO BE SCALED FROM THIS DRAWING
 THIS DRAWING IS TO BE READ IN CONJUNCTION WITH
 RELEVANT CONSULTANTS DRAWINGS
 NO PART OF THIS DOCUMENT MAY BE REPRODUCED OR
 TRANSMITTED IN ANY FORM OR STORED IN ANY RETRIEVAL
 SYSTEM OF ANY NATURE WITHOUT THE WRITTEN PERMISSION
 OF THE LANDSCAPE ARCHITECT AS COPYRIGHT HOLDER EXCEPT
 AS AGREED FOR USE ON THE PROJECT FOR WHICH THE
 DOCUMENT WAS ORIGINALLY ISSUED
 FOR DRAWING INDEX, GENERAL NOTES, AND HEALTH AND SAFETY REFER TO DWG
 L1-001

CLIENT:

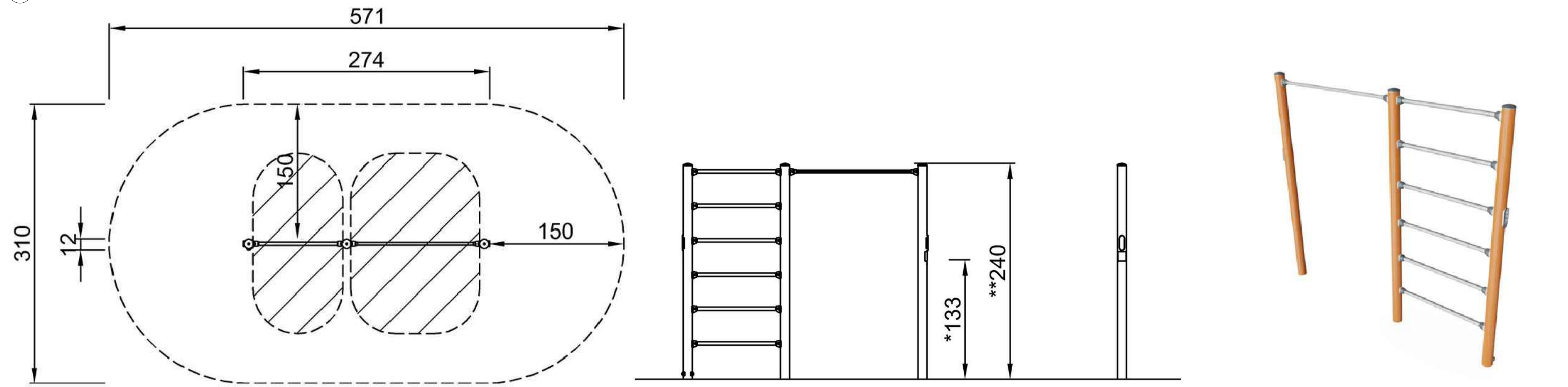
ES SHAN LTD

ARCHITECTS:

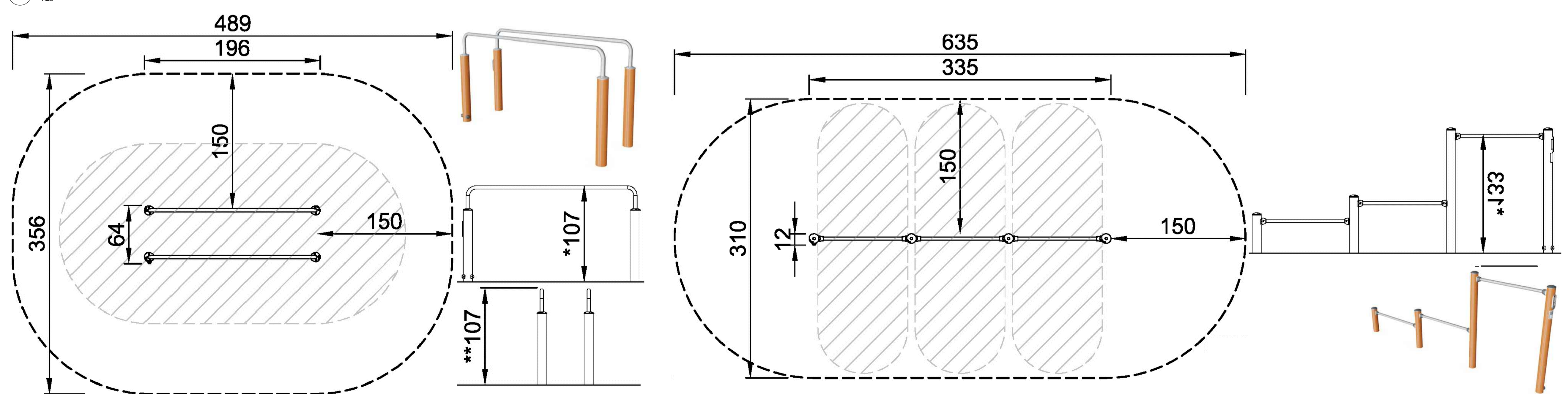
MOLA



01 MAGNETIC BELLS REFERENCE IMAGE
 1:25



02 PULL UP BARS REFERENCE IMAGE
 1:25



03 PARALLEL BARS REFERENCE IMAGE
 1:25

04 PUSH UP BARS REFERENCE IMAGE
 1:25

REFERENCE: THIS DRAWING IS NOT FOR CONSTRUCTION

REVISIONS:

Job No.	17 A 6 A	Drawn By	AC
Dwg No.	L1-907	Checked By	JM
Scale	AS SHOWN @ A1	Date	OCT 2020

JOB DESCRIPTION

Site	ABINGDON
Project	ABINGDON RESIDENTIAL DEVELOPMENT STAGE III LANDSCAPE DESIGN SUBMISSION
Title	DETAILS 8 OF 9 PLAY AND SPORT EQUIPMENT 2 OF 2