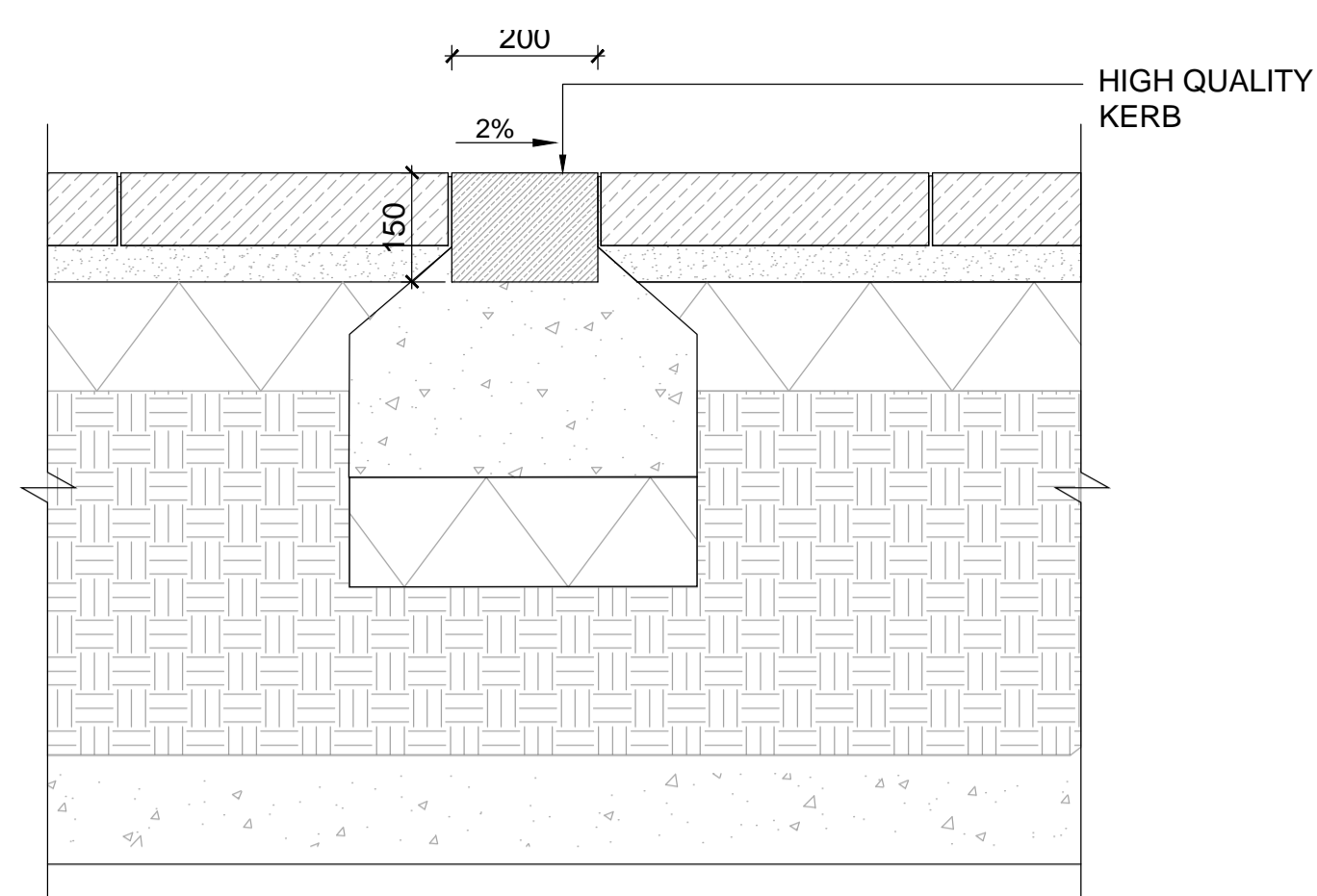
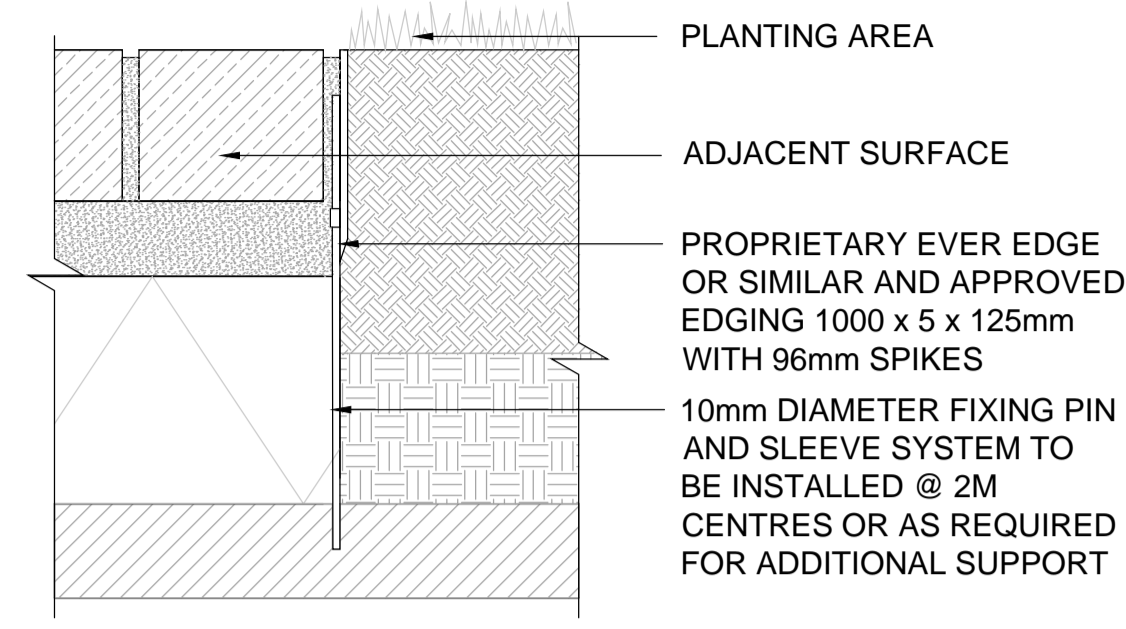


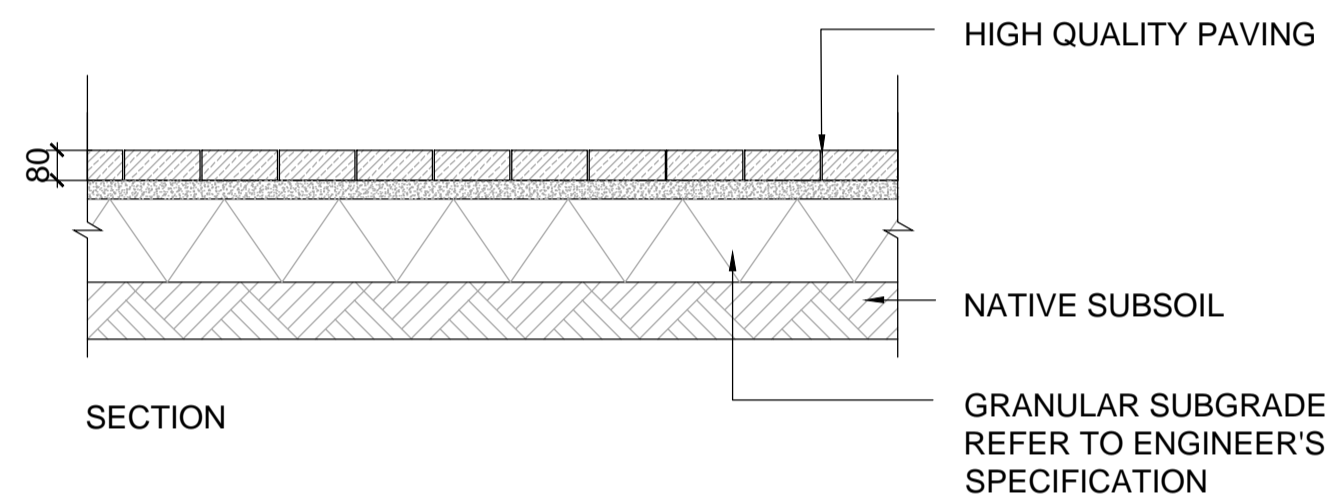
01 RAISED KERB  
SCALE: 1:10 @A1



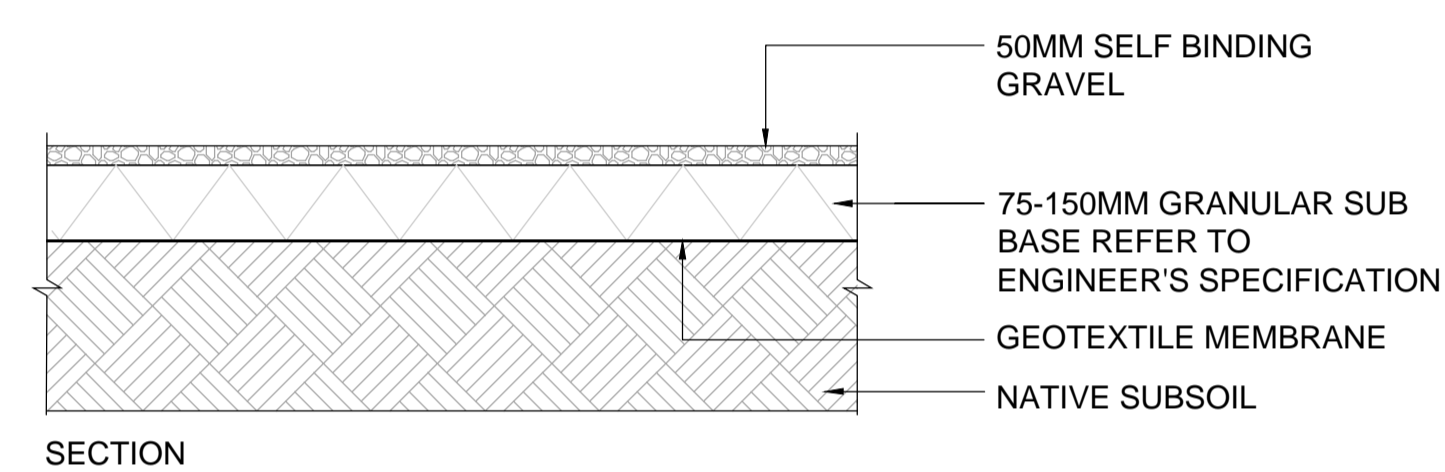
02 FLUSH KERB  
SCALE: 1:10 @A1



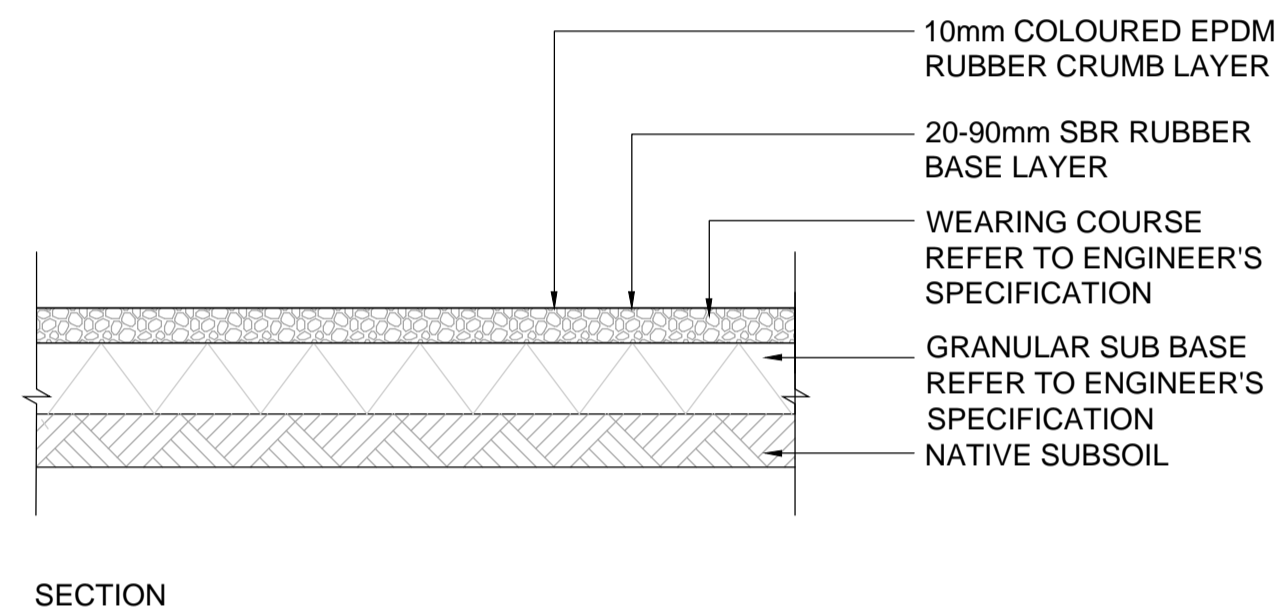
03 TYPICAL STEEL EDGING  
SCALE: 1:5 @A1



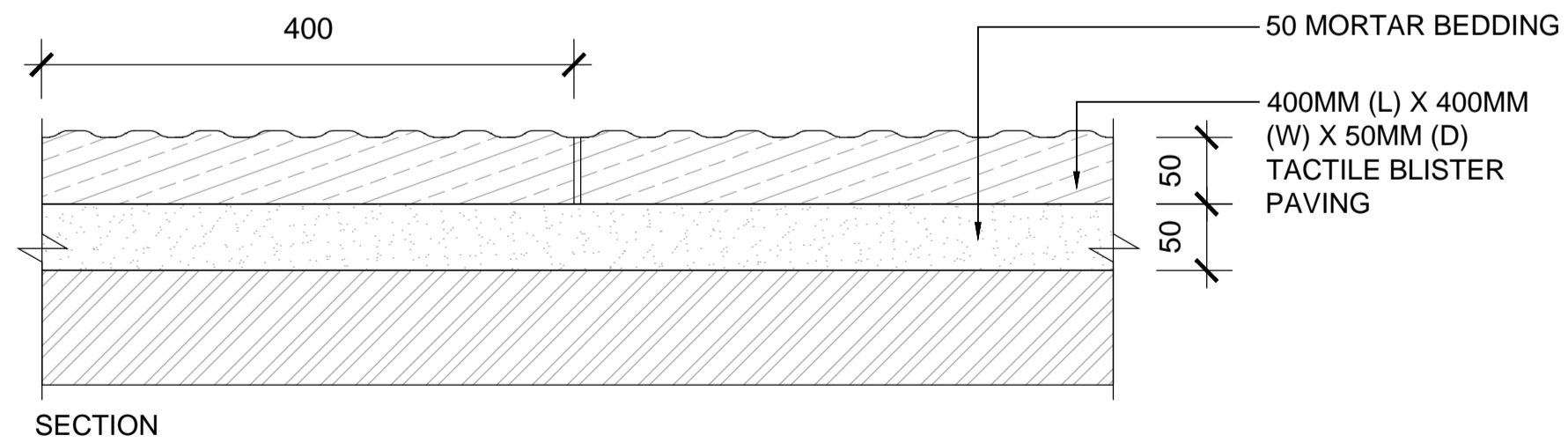
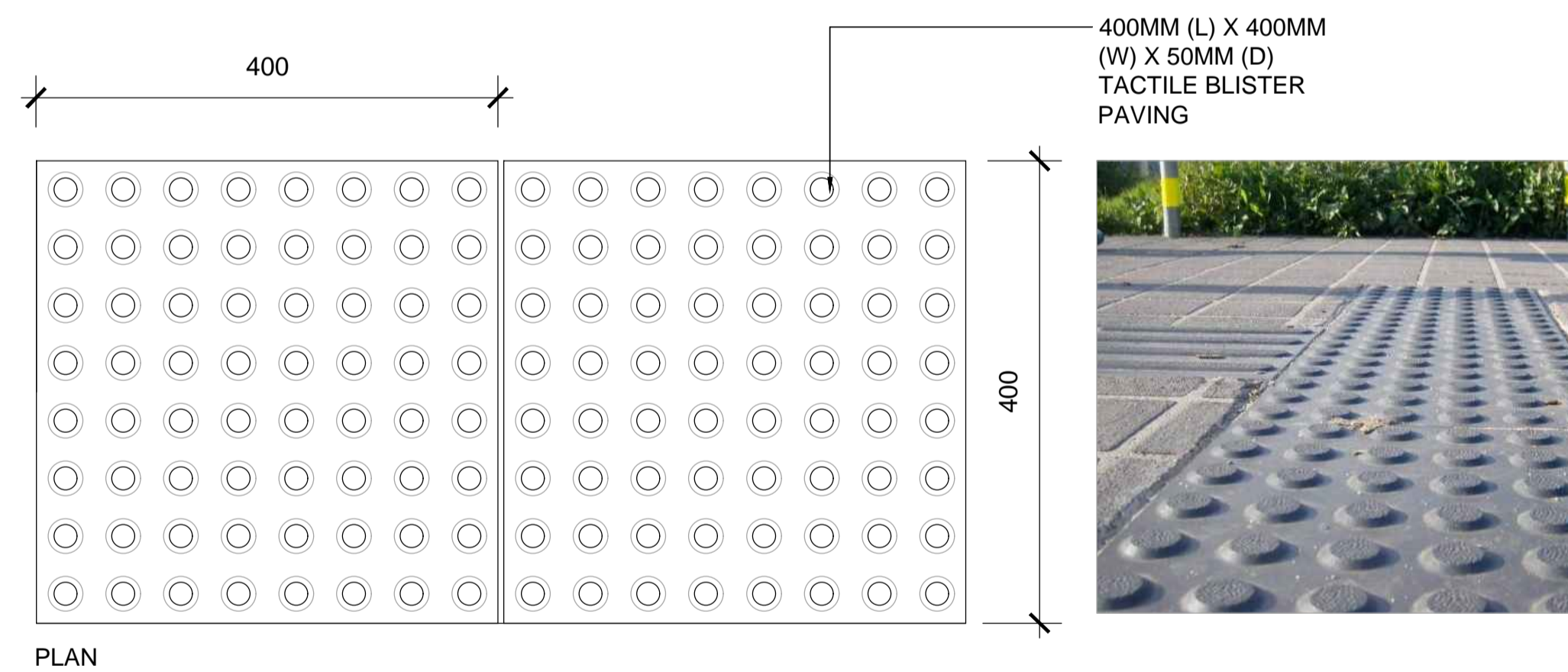
04 HIGH QUALITY PAVING  
SCALE: 1:20 @A1



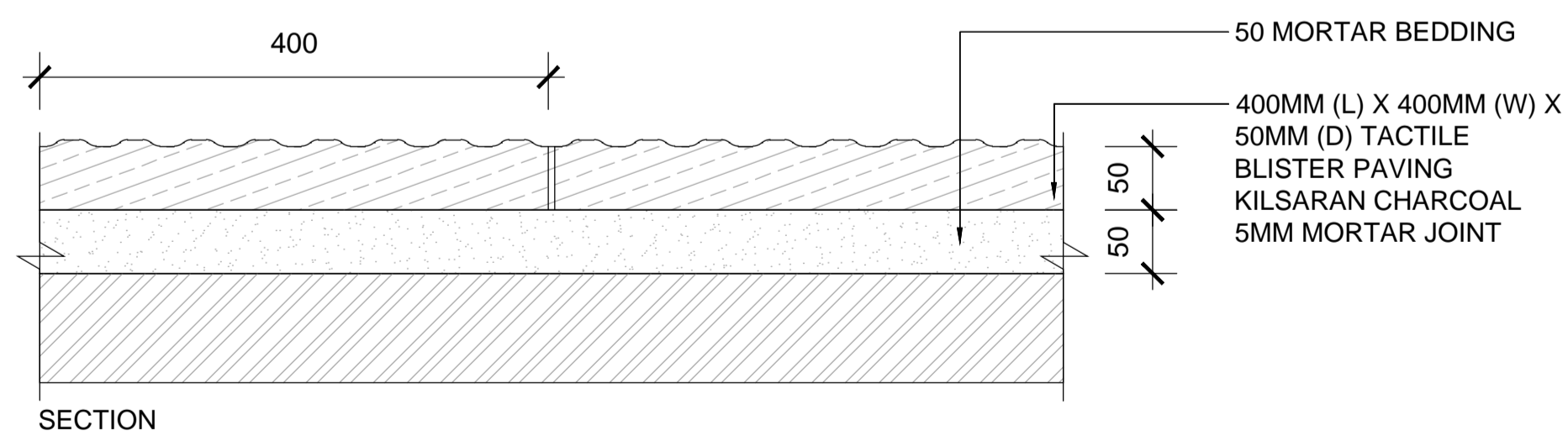
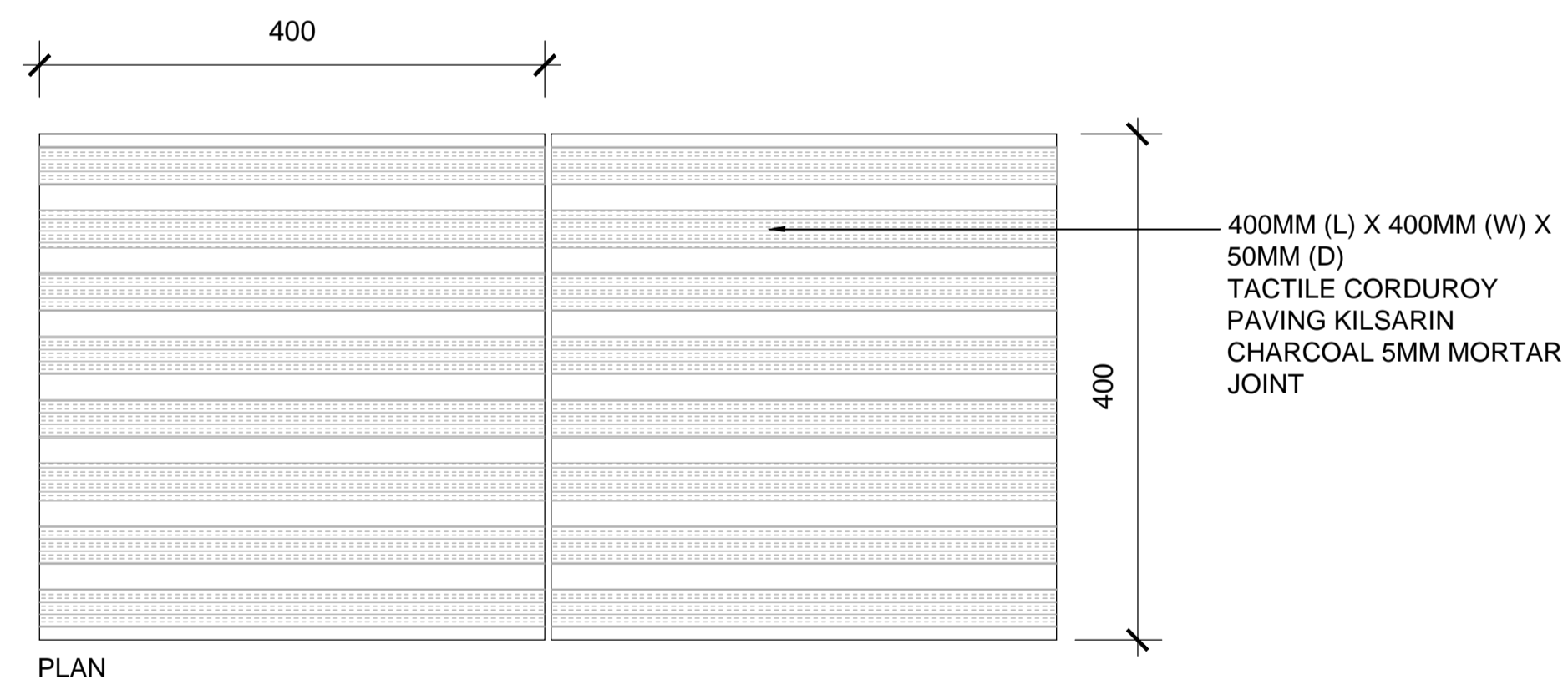
05 TYPICAL SELF BINDING GRAVEL SURFACE  
SCALE: 1:20 @A1



06 TYPICAL SOFT POUR SURFACE  
SCALE: 1:20 @A1



07 TYPICAL TACTILE BLISTER PAVING TO CROSSING POINTS  
SCALE: 1:5 @A1 - SUBJECT TO FURTHER DETAILED DESIGN



08 TYPICAL TACTILE CORDUROY PAVING TO TOP + BOTTOM OF STEPS  
SCALE: 1:5 @A1 - SUBJECT TO FURTHER DETAILED DESIGN

NOTE  
ALL DIMENSIONS TO BE CHECKED ON SITE  
NO DIMENSIONS TO BE SCALED FROM THIS DRAWING  
THIS DRAWING IS TO BE READ IN CONJUNCTION WITH RELEVANT CONSULTANTS DRAWINGS  
NO PART OF THIS DOCUMENT MAY BE REPRODUCED OR TRANSMITTED IN ANY FORM OR STORED IN ANY RETRIEVAL SYSTEM OF ANY NATURE WITHOUT THE WRITTEN PERMISSION OF THE LANDSCAPE ARCHITECT AS COPYRIGHT HOLDER EXCEPT AS AGREED FOR USE ON THE PROJECT FOR WHICH THE DOCUMENT WAS ORIGINALLY ISSUED  
FOR DRAWING INDEX, GENERAL NOTES, AND HEALTH AND SAFETY REFER TO DWG L1-001

CLIENT:

ES SHAN LTD

ARCHITECTS:

MOLA

REFERENCE: THIS DRAWING IS NOT FOR CONSTRUCTION

REVISIONS:

Job No.	17 A 6 A	Drawn By	AC
Dwg No.	L1-900	Checked By	JM
Scale	AS SHOWN @ A1	Date	OCT 2020

JOB DESCRIPTION

Site	ABINGDON
Project	ABINGDON RESIDENTIAL DEVELOPMENT STAGE III LANDSCAPE DESIGN SUBMISSION
Title	DETAILS 1 OF 9 PAVING DETAILS