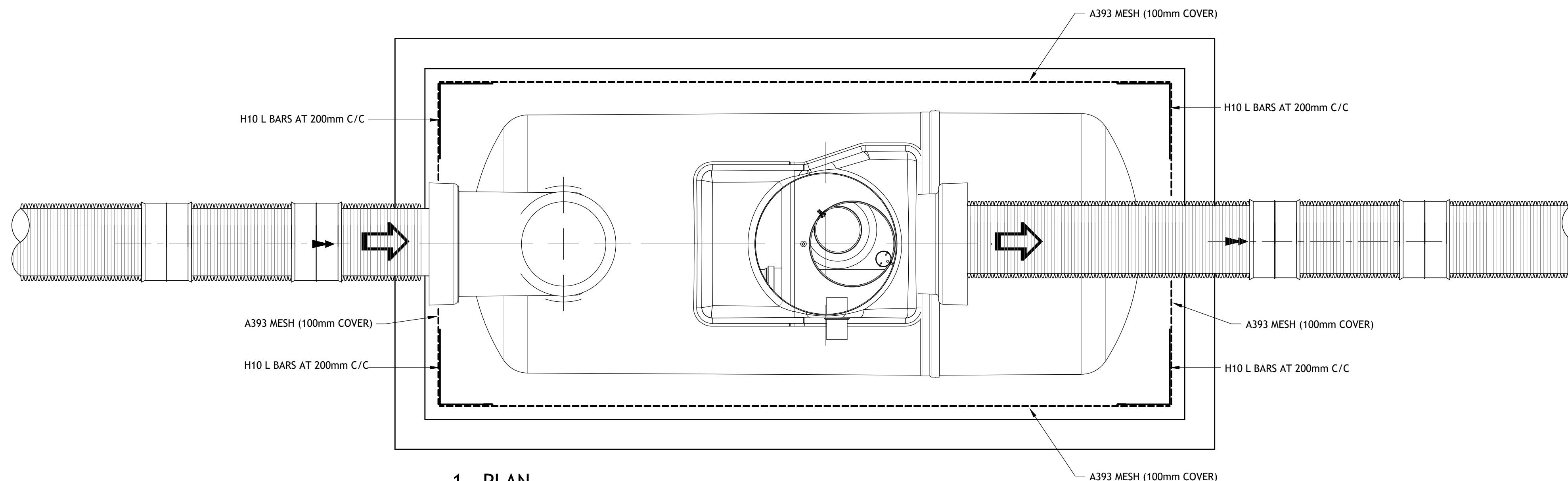
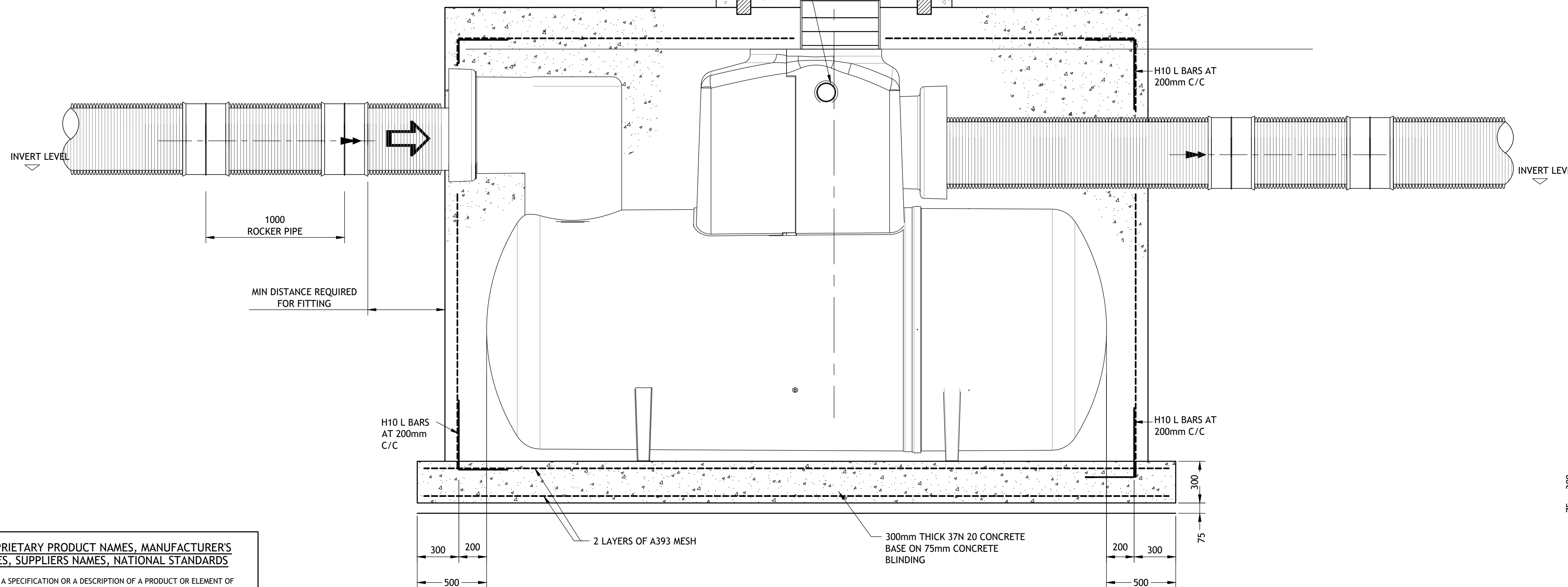
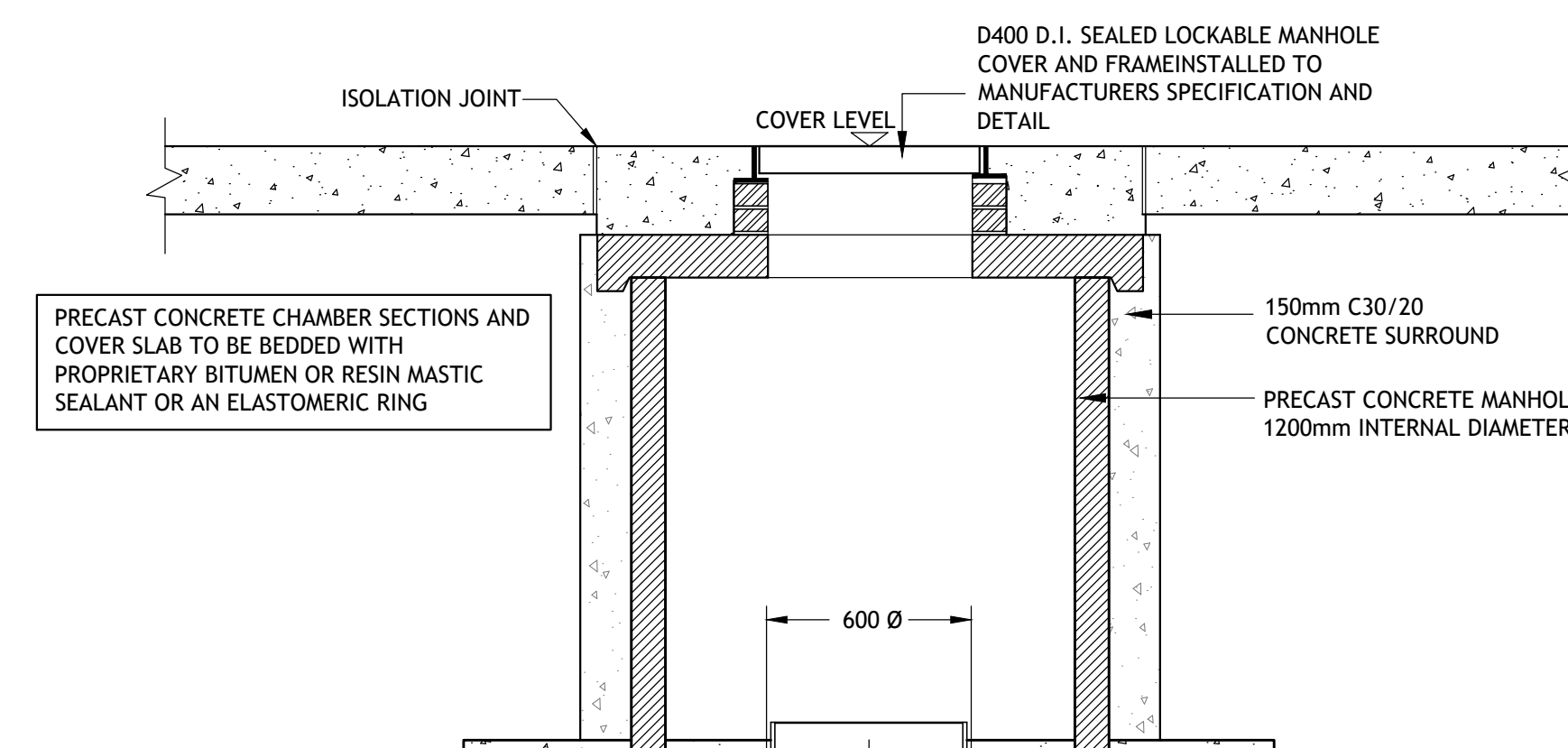
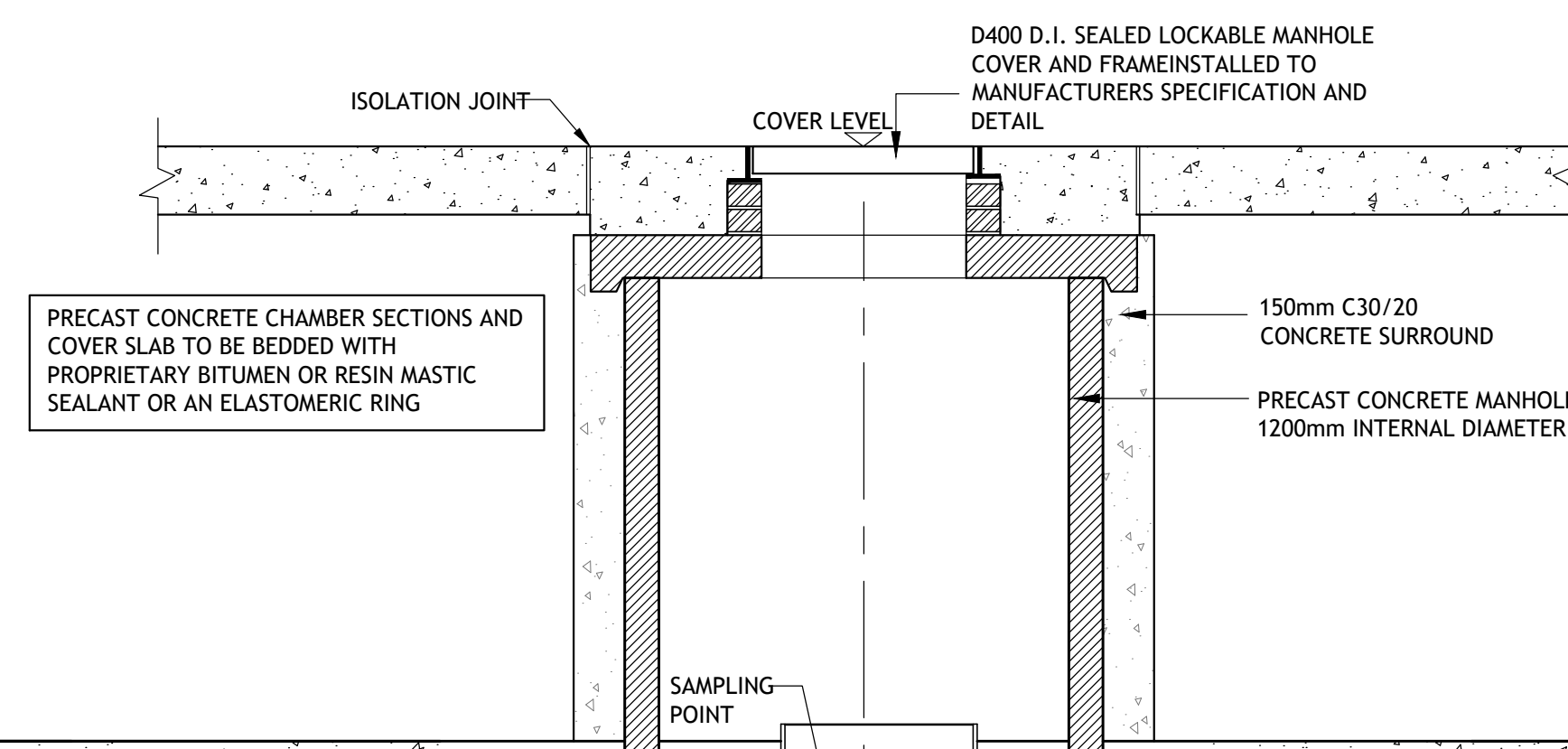


**NOTES:**

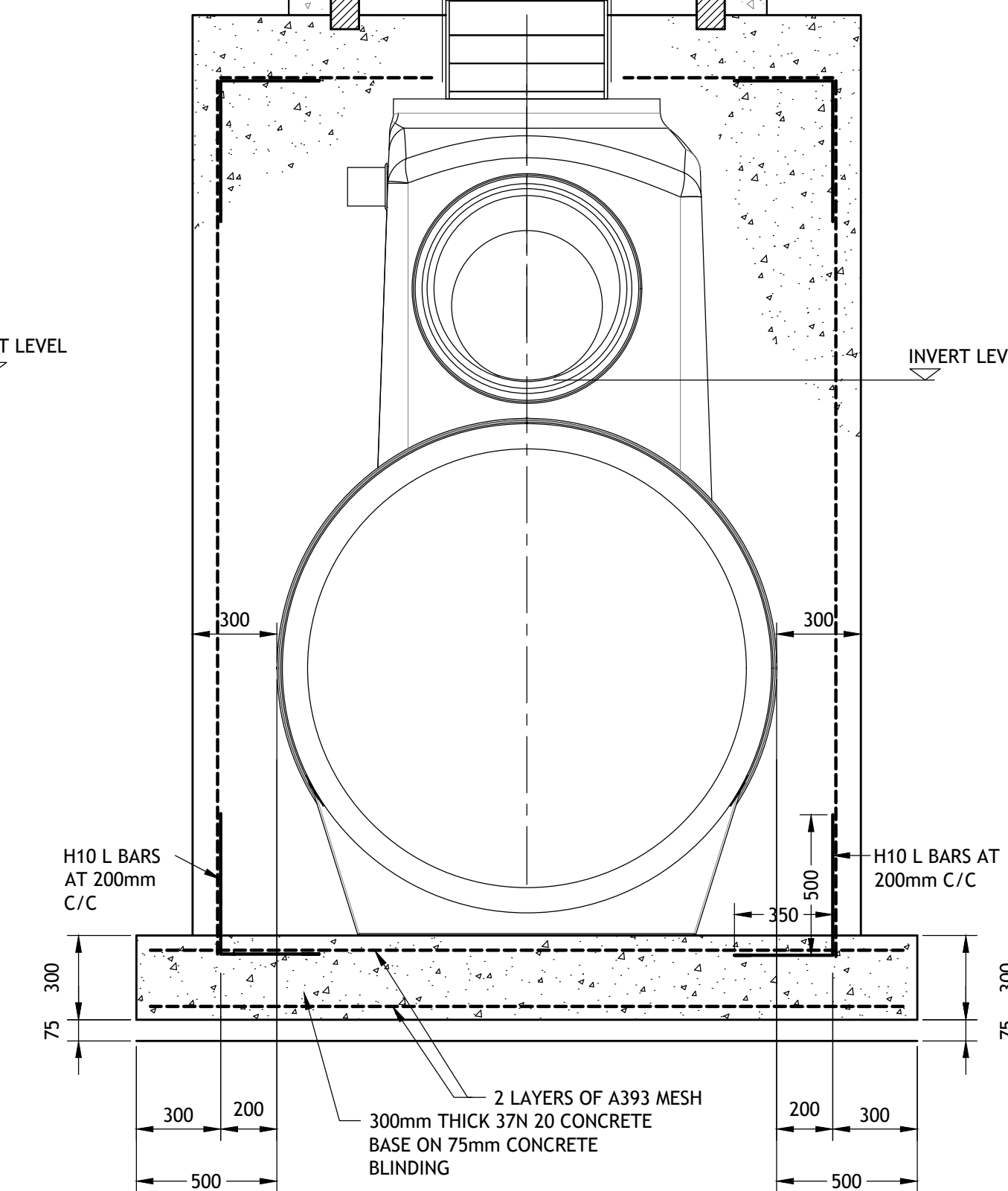
1. FIGURED DIMENSIONS ONLY TO BE READ.
2. ALL DIMENSIONS IN MILLIMETERS UNLESS OTHERWISE STATED.
3. ANY QUERIES OR DISCREPANCIES ARE TO BE REFERRED TO THE ENGINEER IMMEDIATELY.
4. REFER TO PETROL INTERCEPTOR SUPPLIER DETAILS FOR INTERCEPTOR ARRANGEMENTS.



**1 - PLAN**  
SCALE 1:20



**2 - SIDE ELEVATION**  
SCALE 1:20



**3 - END ELEVATION**  
SCALE 1:20

**PROPRIETARY PRODUCT NAMES, MANUFACTURER'S NAMES, SUPPLIERS NAMES, NATIONAL STANDARDS**

WHERE A SPECIFICATION OR A DESCRIPTION OF A PRODUCT OR ELEMENT OF WORK INCLUDES A SPECIFIC MAKE OR SOURCE SUCH AS A PRODUCT NAME OR MANUFACTURER'S NAME OR A SUPPLIER'S NAME OR A NATIONAL STANDARD, THE SPECIFICATION OR DESCRIPTION SHALL BE DEEMED TO BE ACCOMPANIED BY THE WORDS 'OR EQUIVALENT' NOTWITHSTANDING THAT THOSE EXACT WORDS MAY NOT IN FACT ACCOMPANY THE NAME OR STANDARD. THIS ALSO APPLIES WHERE THE NAME OR STANDARD IS ACCOMPANIED BY OTHER WORDS SUCH AS 'OR EQUAL APPROVED' OR SUCHLIKE PHRASES.

© PUNCH Consulting Engineers

This drawing and any design hereon is the copyright of the Consultants and must not be reproduced without their written consent. All drawings remain the property of the Consultants. Figured dimension only to be taken from this drawing. Consultants to be informed immediately of any discrepancies before work proceeds.



Date Drawn: FEB 2020  
Drawn By: JB  
Date Issued: 2020-10-06  
Issued By: IBS



Rev	Amendment	By	Date
PL0	ISSUED FOR PLANNING	DP	2020-04-15
PL1	ISSUED FOR PLANNING	IBS	2020-10-06

Client:  
**ES Shan Ltd**

Job: ABINGDON RESIDENTIAL DEVELOPMENT, SHANKILL  
Title: TYPICAL PETROL SEPARATOR CONCRETE SURROUND DETAIL  
**PUNCH** consulting engineers  
Dublin | Limerick | Cork | Galway | Glasgow  
Carnegie House, Library Road, Dun Laoghaire, Co. Dublin, A96 C7W7  
IRL: +353 1 271 2200 www.punchconsulting.com

Stage: PLANNING  
Scale @ A1: AS SHOWN  
Technician Check: JB  
Engineer Check: MR  
Approved: PC  
Drawing No: 192115-020  
Rev: PL1