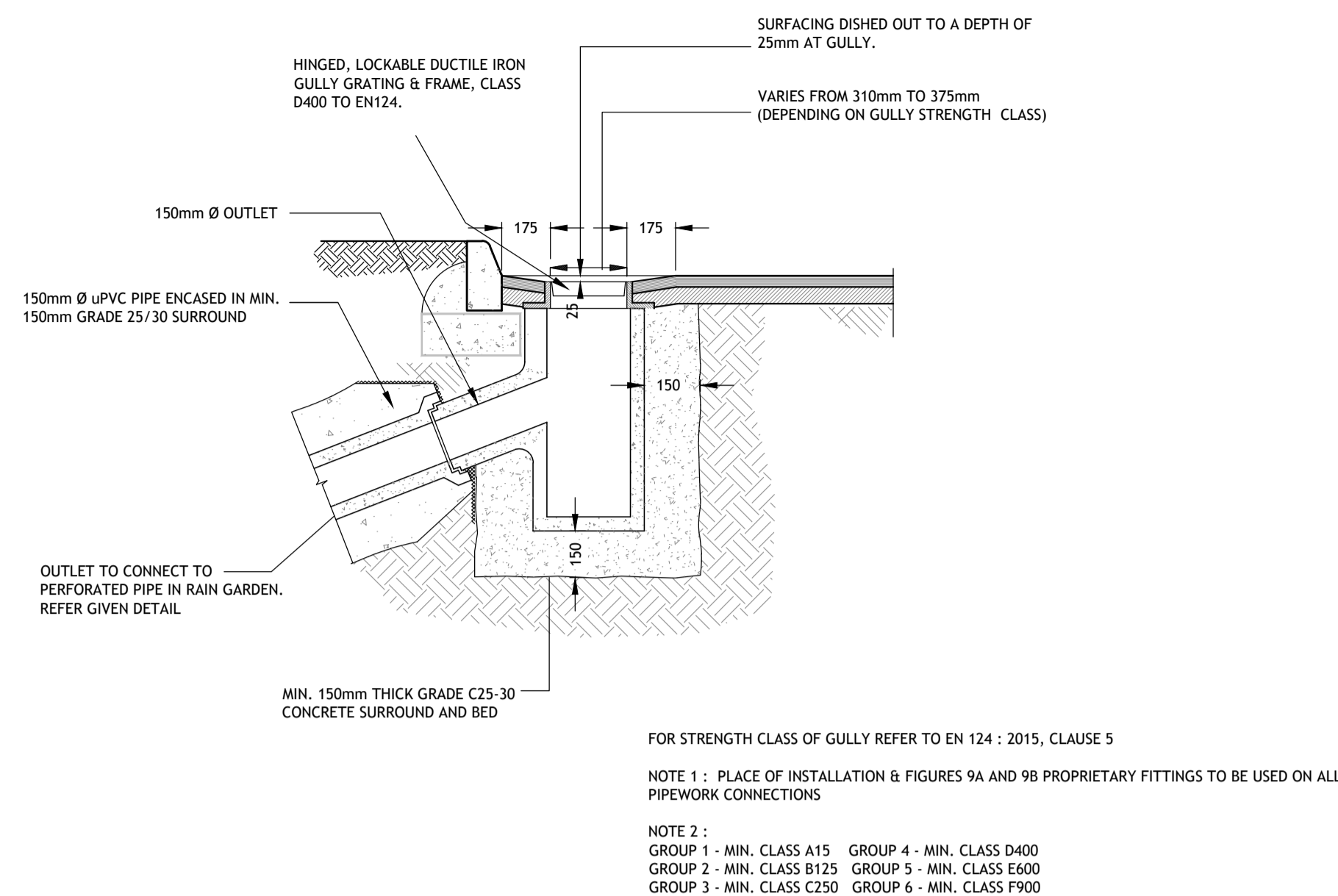
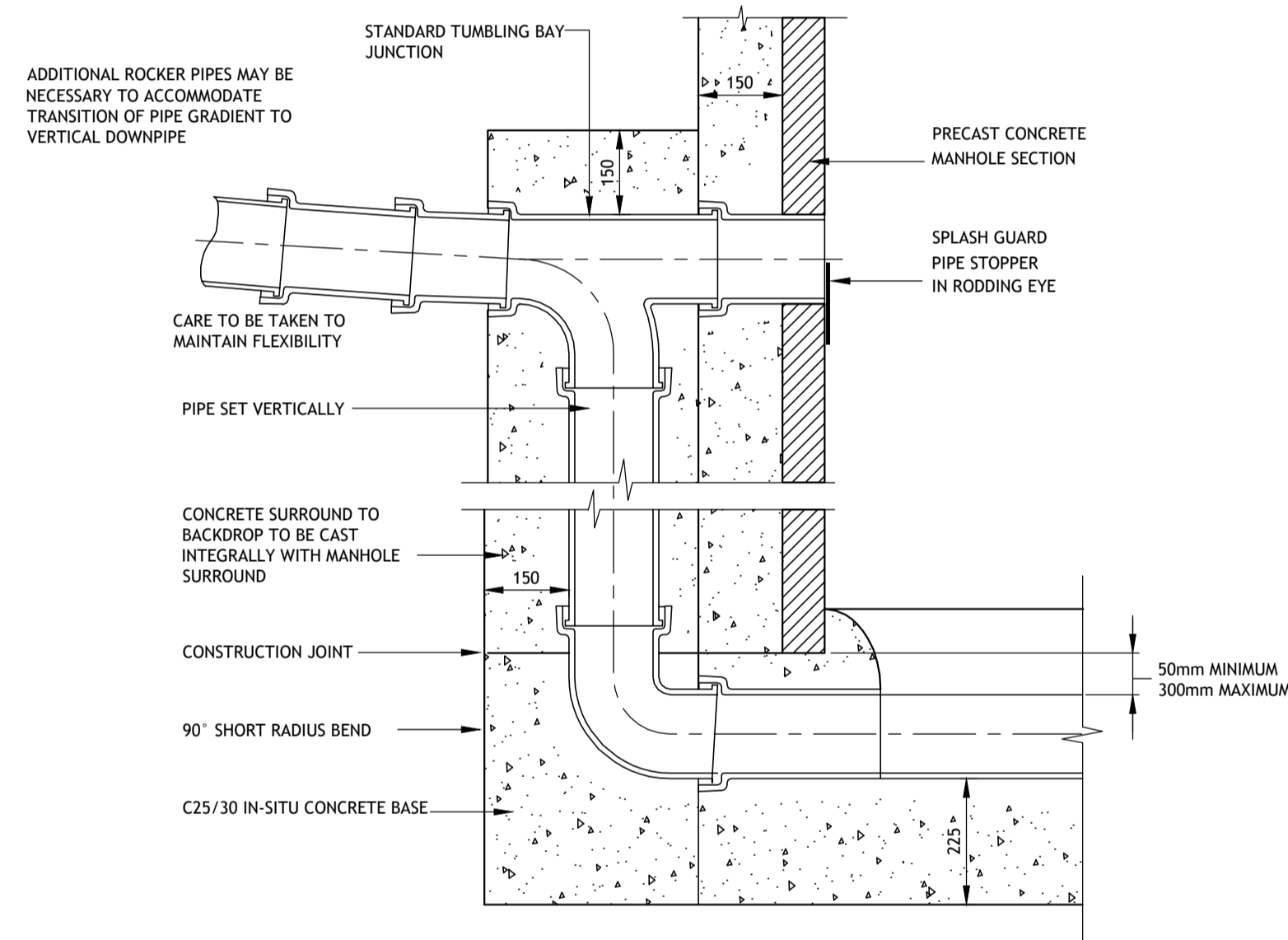
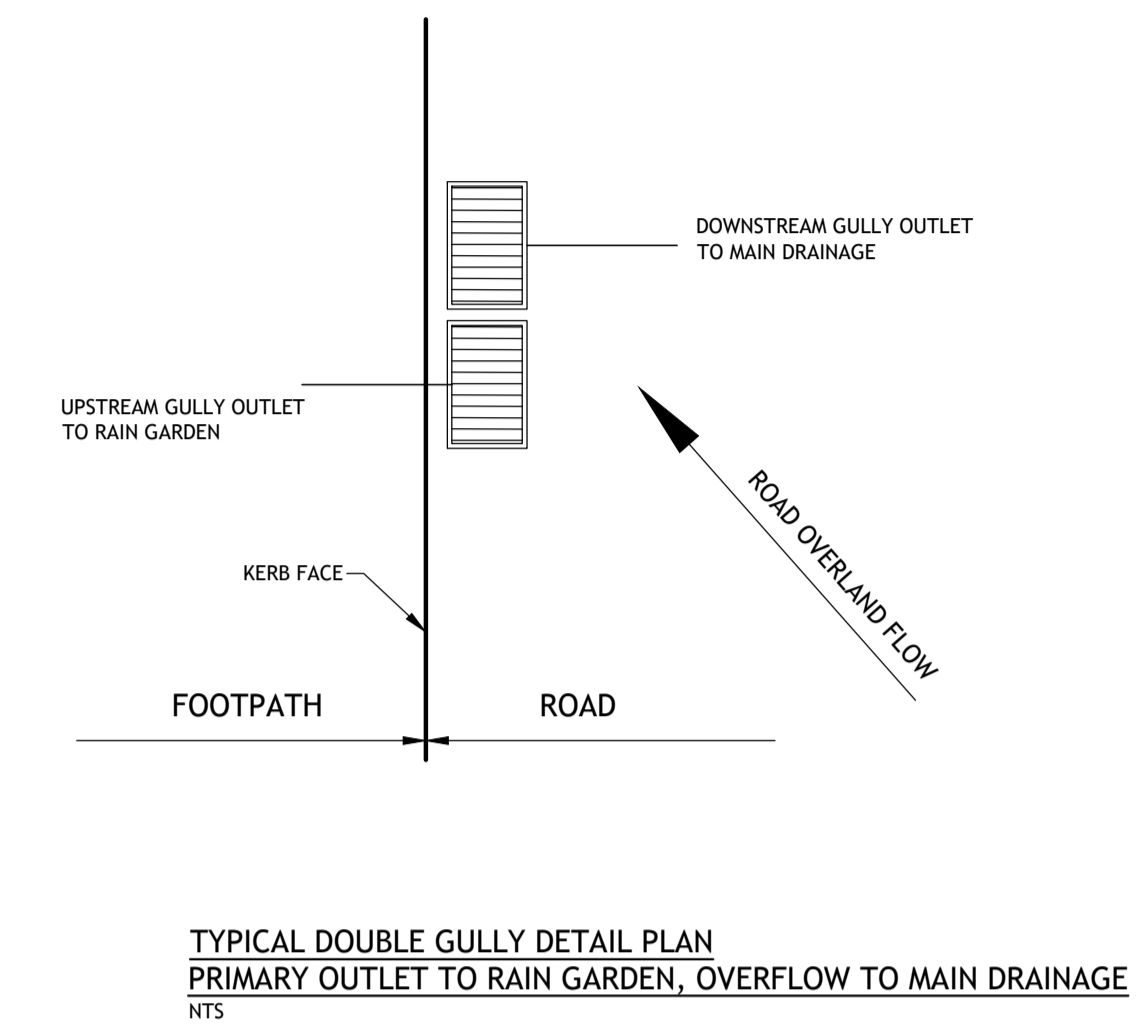


PRECAST CONCRETE GULLY IN MACADAM AREA
SCALE 1:20



PRECAST CONCRETE GULLY CONNECTING TO FILTER DRAIN IN GARDEN/TREE PIT
SCALE 1:20



TYPICAL VERTICAL BACKDROP DETAIL
NOT TO SCALE

