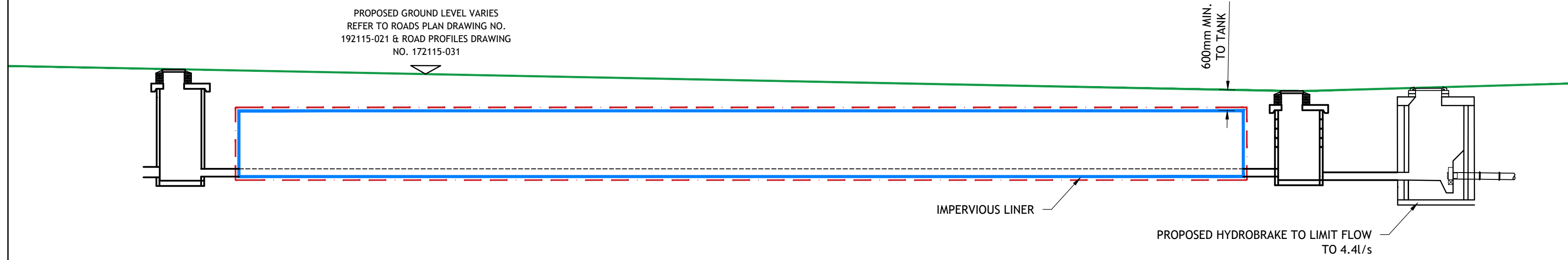
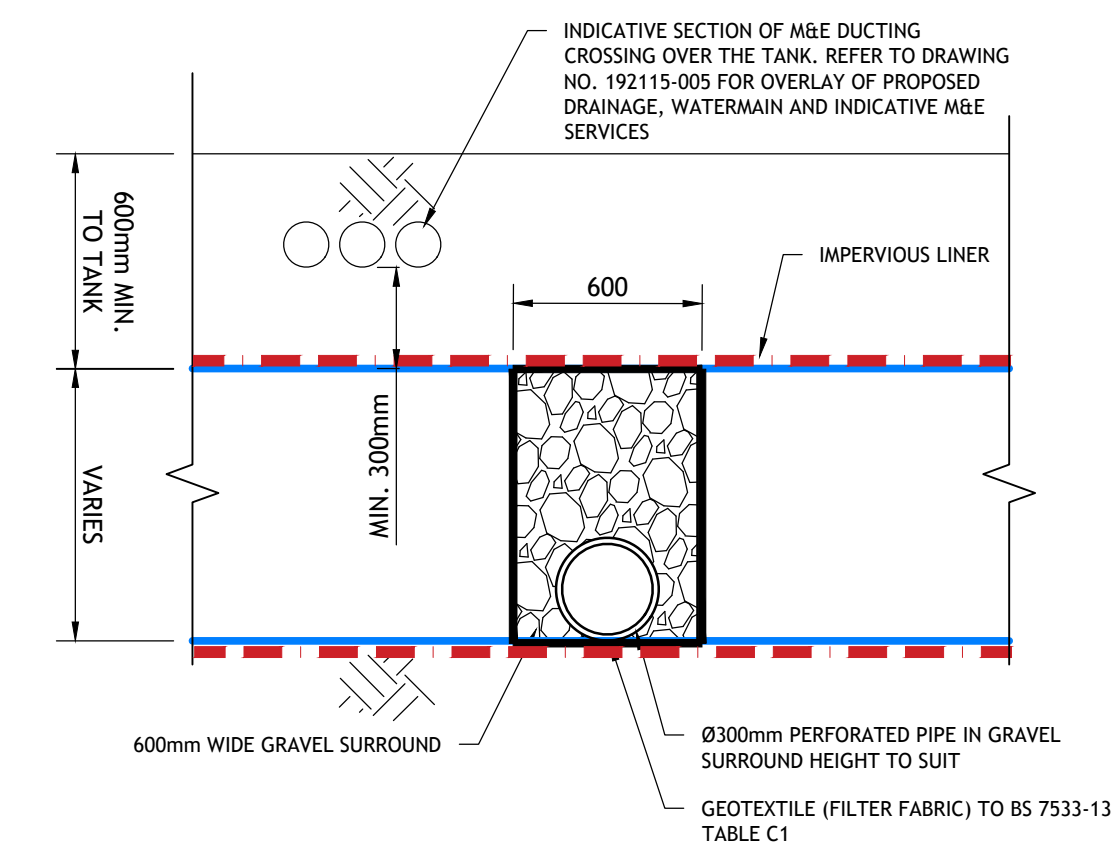


ATTENUATION TANK No.2 - PLAN
SCALE 1:100

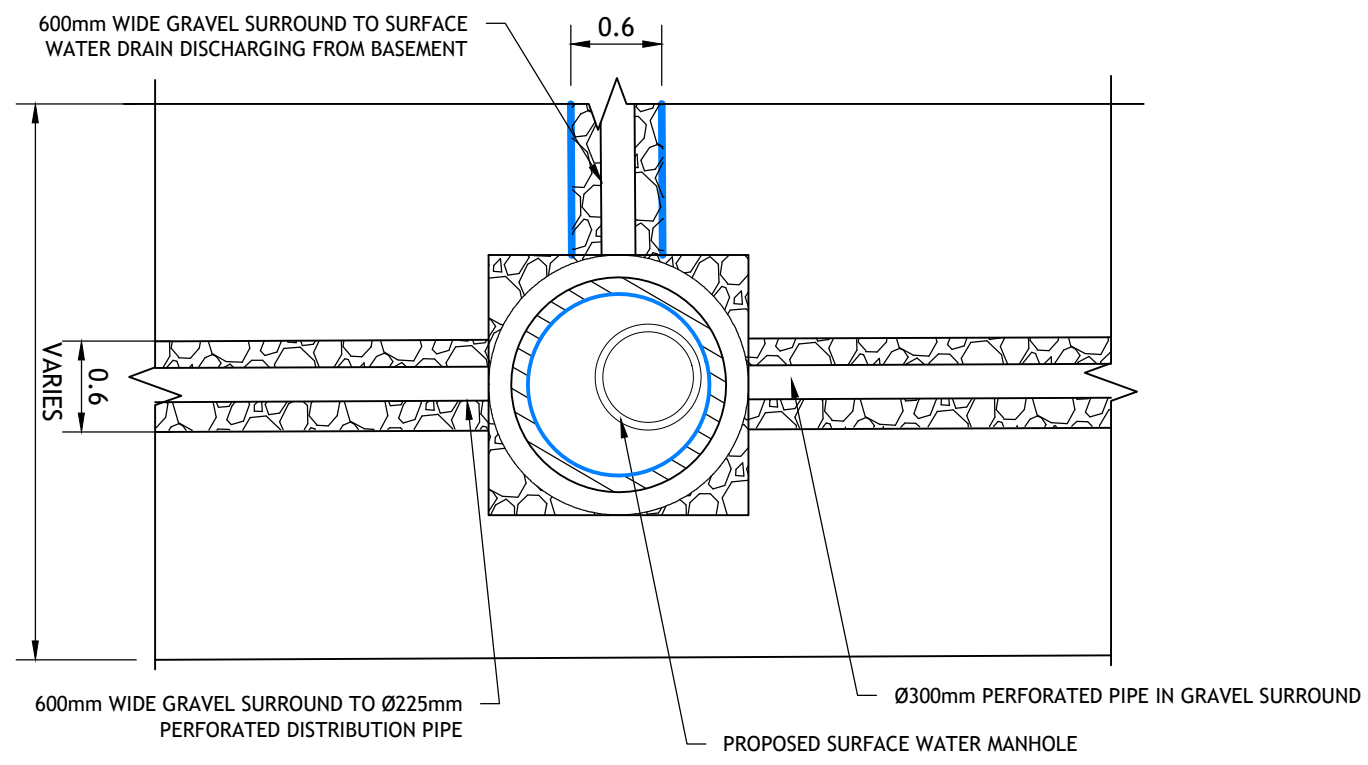


ATTENUATION TANK No.2 - SECTION
SCALE 1:100



GRAVEL DISTRIBUTION ZONE DETAIL

SCALE 1:25



GRAVEL DISTRIBUTION ZONE DETAIL AT MANHOLE LOCATION

SCALE 1:50

- NOTES:**
1. REFER TO DRAWING 192115-001 FOR OVERALL SITE DRAINAGE LAYOUT.
 2. REFER TO DRAWING 192115-002 FOR DRAINAGE NETWORK MANHOLE & PIPE SCHEDULES.
 3. REFER TO DRAWING 192115-012 FOR TYPICAL ATTENUATION TANK CONSTRUCTION DETAILS.

© PUNCH Consulting Engineers

This drawing and any design hereon is the copyright of the Consultants and must not be reproduced without their written consent. All drawings remain the property of the Consultants. Figured dimension only to be taken from this drawing. Consultants to be informed immediately of any discrepancies before work proceeds.

COLOUR DRAWING

Date Drawn:	FEB 2020
Drawn By:	JB
Date Issued:	2020-10-06
Issued By:	IBS

bsi
BIM Verified
Design & Construction
Capital/Delivery
PAS 1192-2

Rev	Amendment	By	Date
PL0	ISSUED FOR PLANNING	IBS	2020-10-06

Client:
ES Shan Ltd

Job: ABINGDON RESIDENTIAL DEVELOPMENT, SHANKILL
Title: ATTENUATION TANK DETAILS - SHEET 2

Dublin | Limerick | Cork | Galway | Glasgow
Carnegie House, Library Road, Dun Laoghaire, Co. Dublin, A96 C7W7
IRL: +353 1 271 2200 www.punchconsulting.com

Stage:	PLANNING
Scale @ A1:	AS SHOWN
Technician Check:	JB
Engineer Check:	MR
Approved:	PC
Drawing No:	192115-013.1
Rev:	PL0